



# LVCT New Sizes

## FEATURES

- Compact sizes.
- Unique serial number (upon customer request)
- Engraved data
- Sealable body
- Sealable cover

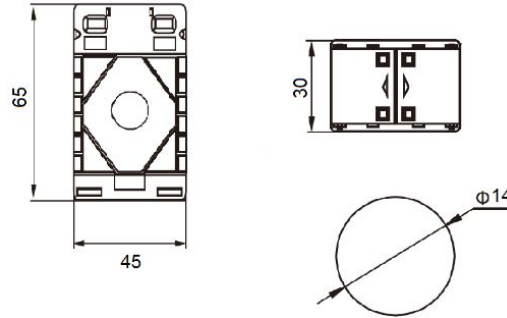
## APPLICATION

LVCT are intended for supplying measuring instruments and protection circuits of electrical power devices with a maximum operating voltage of 0.72 kV and frequency of 50 Hz (or 60 Hz after prior arrangement with the manufacturer). Transformers of power utility installations. The transformers are manufactured for secondary currents 5 A (other specification on request). The long-term thermal rated current and limits of deviations of these transformers correspond to an extended current range of 120% of  $I_p$  within the ambient temperature from  $-5^{\circ}\text{C}$  to  $+55^{\circ}\text{C}$ . It is possible to produce some transformers with a 150%  $I_p$ .

**WEB** : [www.i-mas-eg.com](http://www.i-mas-eg.com)  
**E-mail** : [Sales@i-mas-eg.com](mailto:Sales@i-mas-eg.com)  
**TEL** : +02 0100 452 6891  
 +02 0122 311 4934

## ME 14

DIMENSIONS (mm)



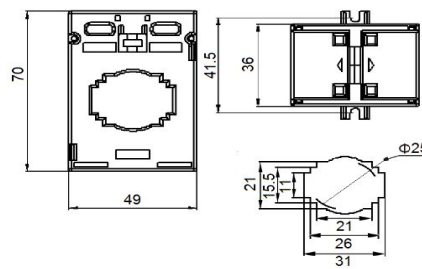
RANGE

| Type  | Ratio (A) | Burden (VA) |         | Item Code |
|-------|-----------|-------------|---------|-----------|
|       |           | Class 1     | Class 3 |           |
| ME 14 | 40/5      | -           | 1.25    | 101400405 |
|       | 50/5      | -           | 1.25    | 101400505 |
|       | 60/5      | 1.25        | 2.5     | 101400605 |
|       | 80/5      | 1.25        | 2.5     | 101400805 |
|       | 100/5     | 1.5         | 2.5     | 101401005 |

Other specifications on request

## ME 30S

DIMENSIONS (mm)



RANGE

| Type   | Ratio (A) | Burden (VA) |         | Item Code |
|--------|-----------|-------------|---------|-----------|
|        |           | Class 0.5   | Class 1 |           |
| ME 30S | 80/5      | -           | 1.5     | 103100805 |
|        | 100/5     | -           | 1.5     | 103101005 |
|        | 150/5     | 1.5         | 2.5     | 103101505 |
|        | 200/5     | 2.5         | 2.5     | 103102005 |
|        | 250/5     | 2.5         | 5       | 103102505 |
|        | 300/5     | 5           | 5       | 103103005 |
|        | 400/5     | 5           | 5       | 103004005 |
|        | 500/5     | 5           | 5       | 103005005 |

Other specifications on request